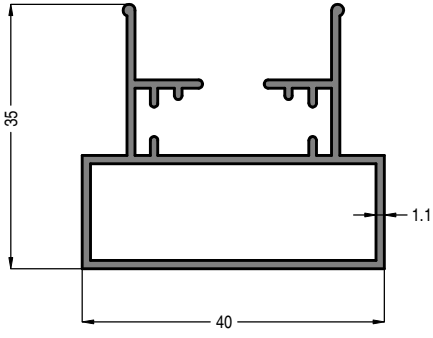


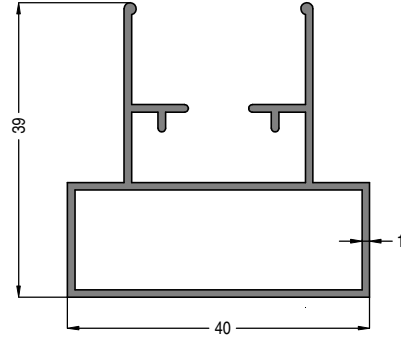
15-035040-11

0.522 kg/m



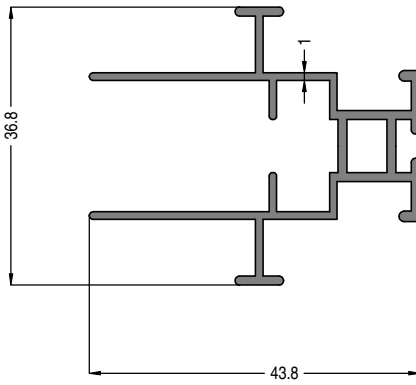
15-039040-10

0.475 kg/m



15-044037-10

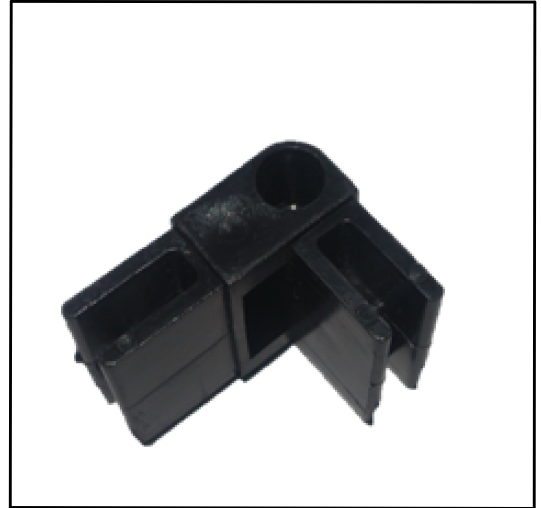
0.487 kg/m



PS 01



PS 02



PS 03



PS 04



PS 05

---



PS 06

---



PS 07

---

