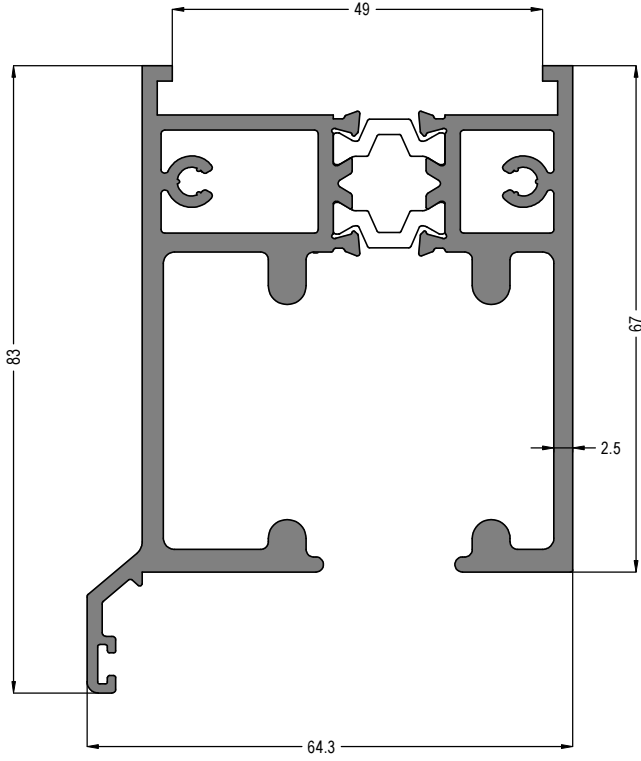


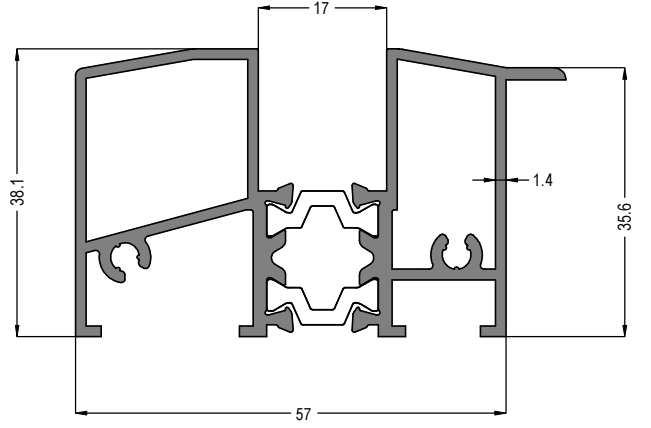
FD56 01

2.581 kg/m



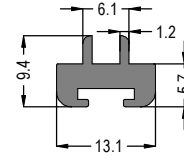
FD56 02

1.274 kg/m



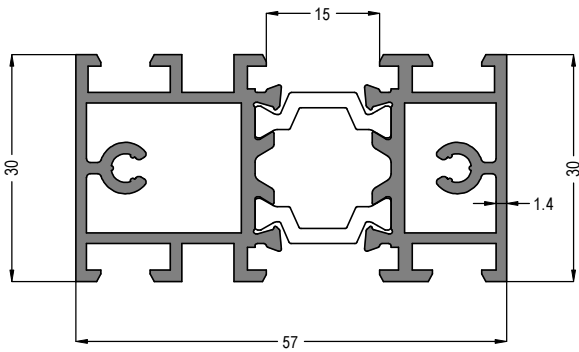
FD56 41

0.178 kg/m



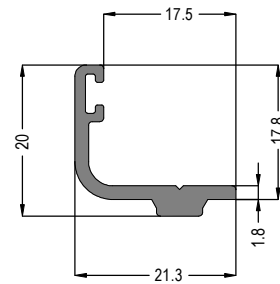
FD56 03

1.313 kg/m



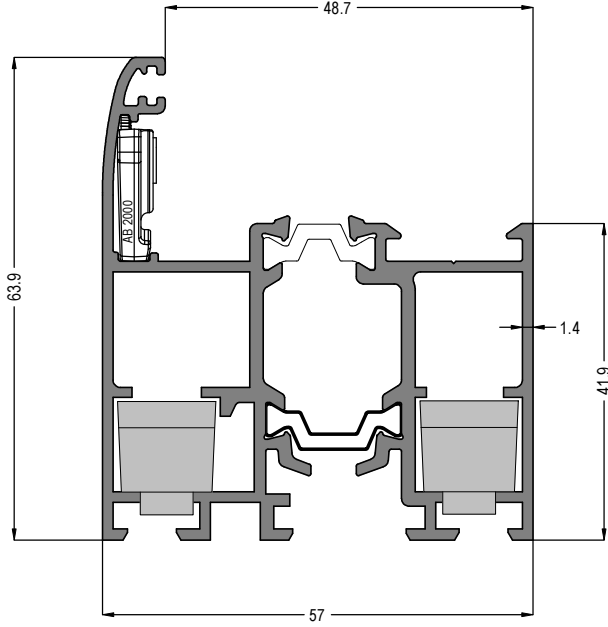
FD56 42

0.221 kg/m



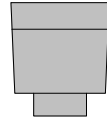
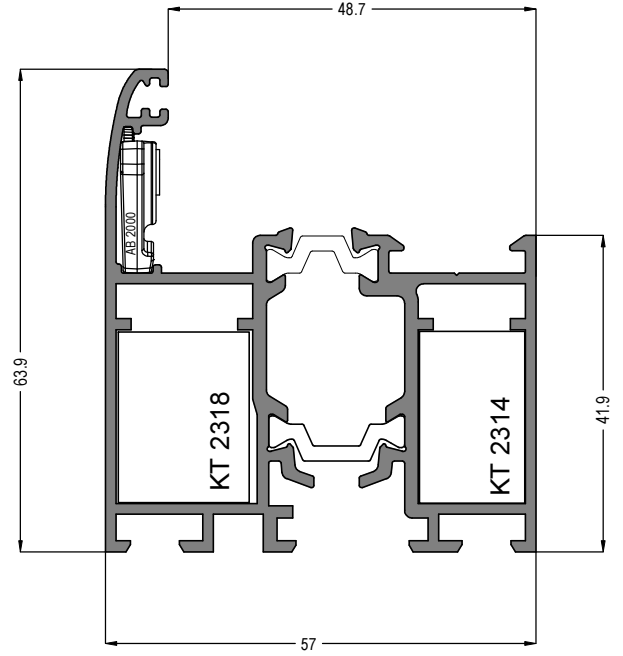
FD56 11

1.577 kg/m



FD56 12

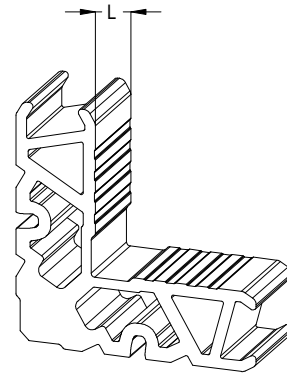
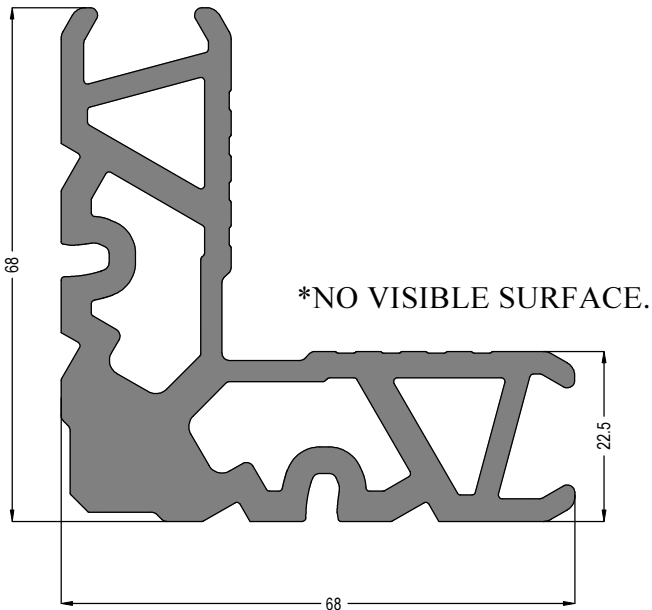
1.549 kg/m



## Ragni part No 4711.8

10-010225-00

3.566 kg/m



CORNER CLEATS CUTTING

COD CUTTING SIZE

KT 2314 L = 13,5 mm

KT 2318 L = 17,5 mm

EP56-01

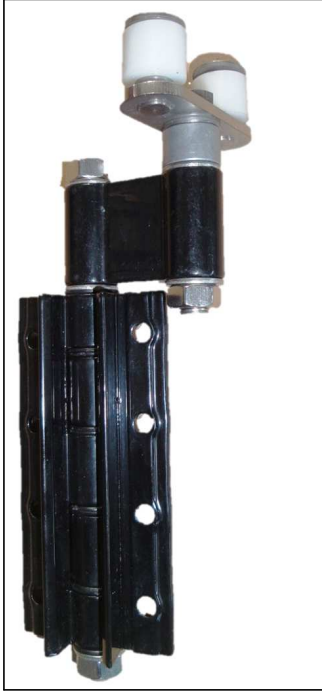


MO60



FDA-136

Alt Mentefe / Bottom Hinge



FDA-137

Üst Mentefe / Top Hinge



FDA-135

Mentefe / Hinge



FD HANDLE

---

Kol / Handle



153 30mm

---



FD LOCK

---

Kilit / Lock



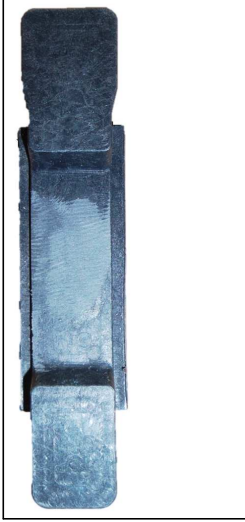
83mm Barrel

---



FDA-111

Dikay Sürgü / Bolt



FDA-112

Sürgü Kolu / Bolt Handle



FDA-113

